

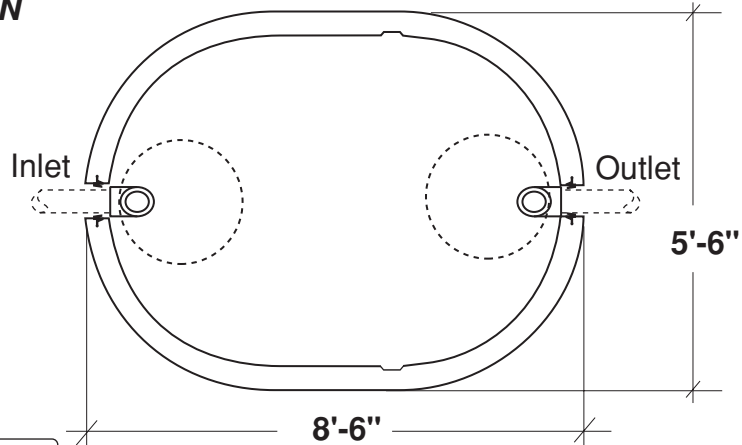
# 1000 Gal. Single Compartment Septic Tank

FLXX®

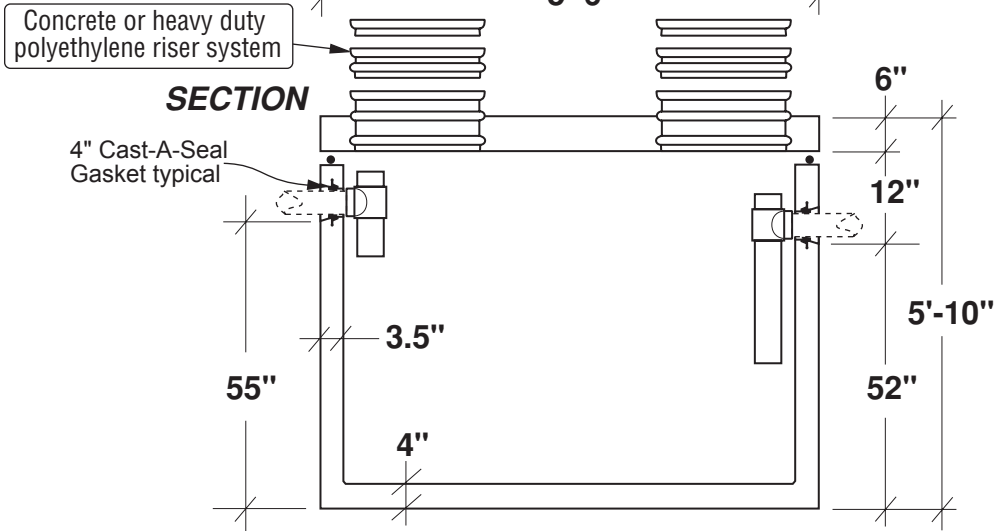
FLXX®

- Monolithic tank meets ASTM-C-1227 Spec. for water and wastewater structures.
- Butyl rubber sealant meets Fed. Spec. SS-S-210A. (Provided with tank)
- All plumbing shown in diagram is 4" SDR 35. (Provided with tank)

**PLAN**



**SECTION**



Part #	Capacity (gallons)	Approximate Weights		
		Tank	Lid	Total
PCA-000-251	1070	6,995 lbs	2,550 lbs	9,545 lbs

Note: N.T.S.

**FLXX®**   
**Watertight**  
**Front Range Precast Concrete, Inc.**  
 5901 Dexter Street, Unit 200, Commerce City, CO 80022  
 Phone (303) 442-3207 • (800) 783-3207 • Fax (303) 442-3209  
[www.flxx.com](http://www.flxx.com)