

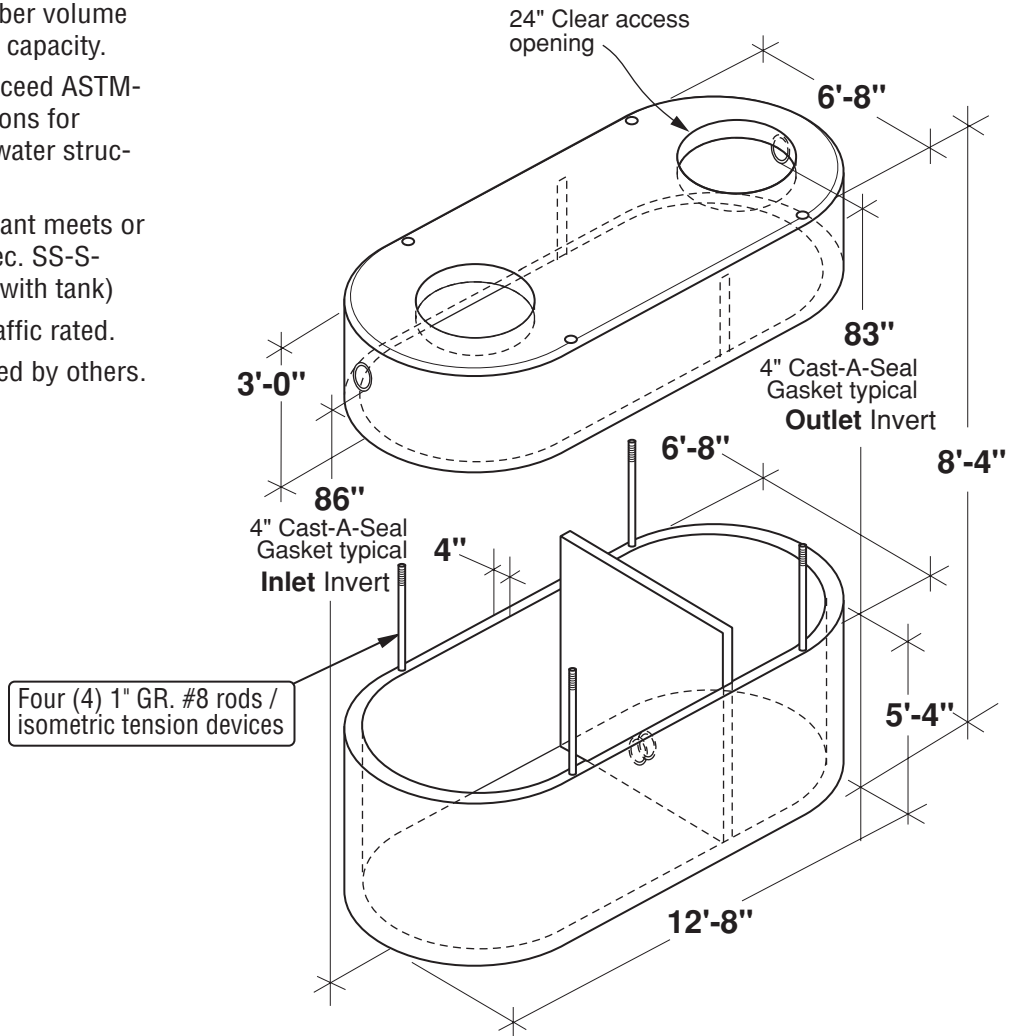
3250 Gal. Grease Interceptor

FLXX®

FLXX®

Total Capacity: 3365 gallons

- Secondary chamber volume equal to 1/3 total capacity.
- Tanks meet or exceed ASTM-C-913 specifications for water and wastewater structures.
- Butyl rubber sealant meets or exceeds Fed. Spec. SS-S-210A. (Provided with tank)
- ASSHTO H-20 traffic rated.
- Plumbing provided by others.



Part #	Capacities				Approximate Weights			
	Section/Gal.		Cubic Ft.		Tank	Lid	Baffle Wall	Total
PCA-000-319	A	B	A	B	11,690 lbs	7,715 lbs	1,110 lbs	20,515 lbs
	1940	1300	253	170				

Note: N.T.S.

FLXX® 
Watertight
Front Range Precast Concrete, Inc.
 5901 Dexter Street, Unit 200, Commerce City, CO 80022
 Phone (303) 442-3207 • (800) 783-3207 • Fax (303) 442-3209
www.flxx.com