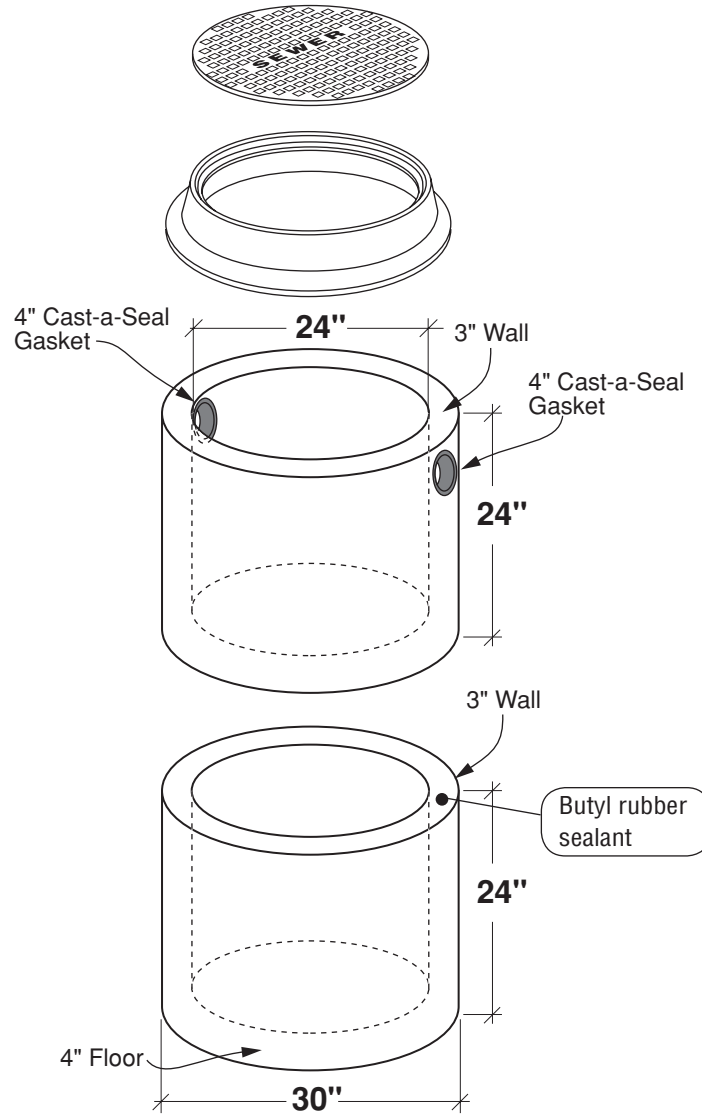


# Sampling Pit

- Other sizes and volume capacities are available.



Note: N.T.S.

**FLXX**®   
Watertight

**Front Range Precast Concrete, Inc.**

5901 Dexter Street, Unit 200, Commerce City, CO 80022  
Phone (303) 442-3207 • (800) 783-3207 • Fax (303) 442-3209  
[www.flxx.com](http://www.flxx.com)