

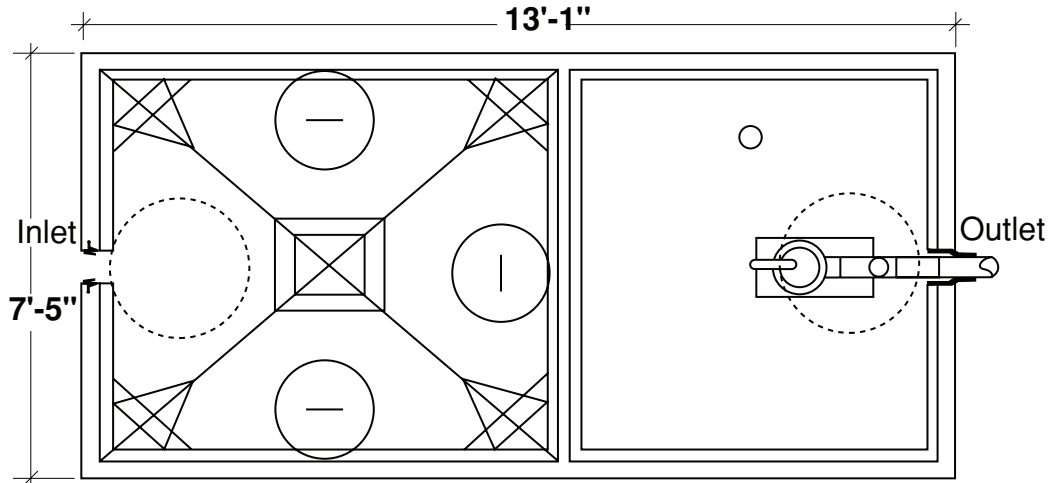
Colorado HOOT® 6 Bedroom Siphon

FLXX®

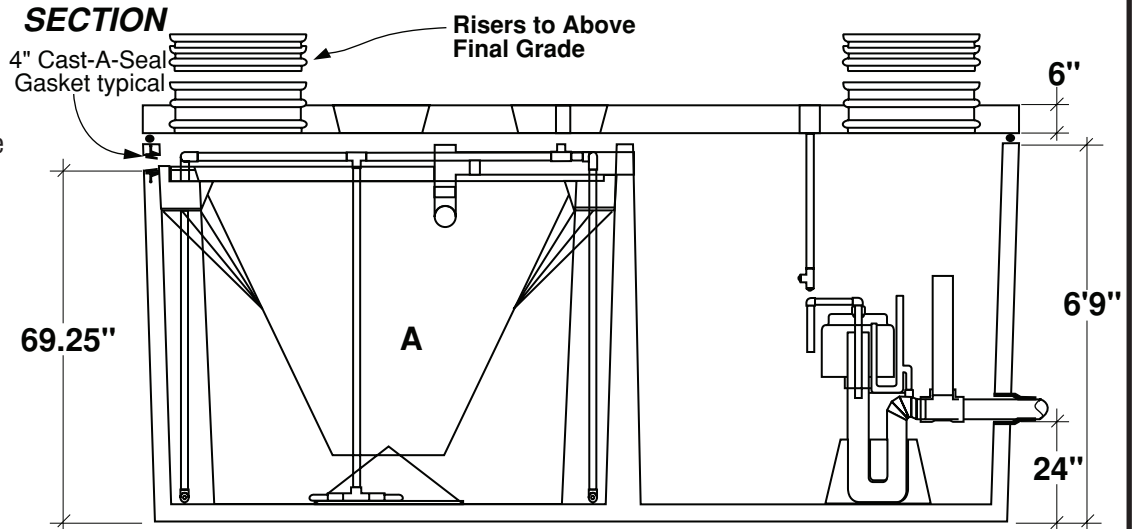
FLXX®

- Monolithic tank meets ASTM-C-1227 Spec. for water and waste-water structures.
- Butyl rubber sealant meets Fed. Spec. SS-S-210A.
- See pages 35 - 41 for pumps and controls.
- Sensor tree
- Blower / Aerator
- #417 Siphon
- Optional remote monitoring system
- This system requires a separate pretreatment compartment.
- 2+ Years service
- 3 year parts warranty

PLAN



SECTION



* Includes 200 lbs. siphon / foundation

Part Number	Capacities (gallons)		Discharge Per Cycle (gallons)	Approximate Weights		
	A	Dosing Chamber		Tank/ Baffle Walls*	Lid	Total
HCA-001-115	1840	1469	385	13,565 lbs	5,990 lbs	19,555 lbs

Note: N.T.S.

FLXX® 
Watertight
Front Range Precast Concrete, Inc.
 5901 Dexter Street, Unit 200, Commerce City, CO 80022
 Phone (303) 442-3207 • (800) 783-3207 • Fax (303) 442-3209
www.flxx.com