

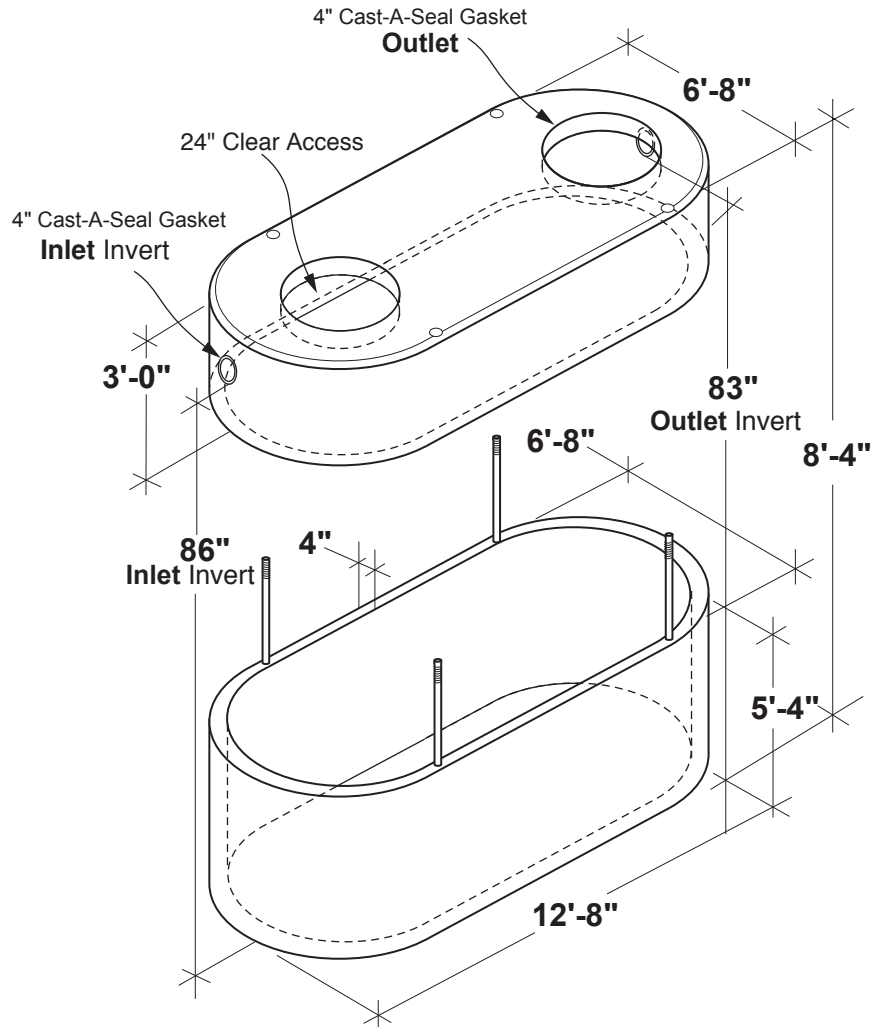
3250 Gal. Single Compartment Septic Tank

FLXX®

FLXX®

Total Capacity: 3240 gallons

- Tanks meet or exceed ASTM-C-913 specifications for water and wastewater structures.
- Various lid and riser options available.
- Tank sections sealed using a polyurethane sealant and four (4) 1" grade #8 rods.



Part #	Capacity (gallons)	Approximate Weights		
		Tank	Dometite Lid	Total
PCA-000-320	3240	11,690 lbs	7,715 lbs	19,405 lbs

Note: N.T.S.



Front Range Precast Concrete, Inc.

5901 Dexter Street, Unit 200, Commerce City, CO 80022
 Phone (303) 442-3207 • (800) 783-3207 • Fax (303) 442-3209
www.flxx.com